



RIO RICO MINI SPECIFICATION

EMERGENCY MEDICAL VEHICLE TYPE II (4X2) SRW

Squad 2

Freightliner Sprinter Chassis

Rio Rico	<i>SPECIFICATION</i> Squad 2 / TYPE II
-----------------	---

CHASSIS

The Type II chassis shall be a current model year Freightliner Sprinter chassis. The chassis shall be equipped with the following features.

VB2L13 Sprinter 2500 Van 144"WB, 8550# GVWR, 3.0L V6 Turbo Diesel Engine, 50-State Emissions, 220 Amp Alternator, Auxiliary 100-Amp Battery for Dual Batteries, Auxiliary Belt Drive for 2nd Air Conditioning Compressor, 5-Speed Automatic Transmission, 3:92 Axle Ratio, Traction Control, 4-Wheel Anti-Lock Brakes, Front and Rear Stabilizer Bars, 25 Gallon Fuel Tank, High Roof, Power/Heated Exterior Rear View Mirrors, Keyless Entry, 16" x 6.5" steel wheels, LT245-75R16 Continental All Season Tires, Full Size Spare underslung tire carrier, Rear Bumper with step pad, Power Locks, Tachometer, Tire Pressure Monitoring Warning, AM/FM/CD Radio w/5 front speakers, Front Air Conditioning (will have a separate Pro Air compressor for patient compartment air conditioning), Power windows, Tilt/Telescope Steering Column, Driver & Passenger Air Bags, Reclining Front Seats w/ armrests, Front Rubber Floor Covering, Power Rack & Pinion Steering, Daytime running lights, Interior trim color - Gray, Exterior Color - Red.

Does the bid comply to these requirements?

Y_____ N_____

CHASSIS ACCESSORIES

The Type II sprinter ambulance shall be equipped with the OEM standard features as well as the following options listed in this section. This agency has a particular function and purpose for each of these additional

components listed below. As a result, bidders making any deviations from these options shall detail the components proposed. Failure to comply with this requirement shall make the bidder's proposal non-responsive and could be rejected.

MCT LAPTOP BRACKET: Toughbook laptop mount installed in the cab.

FRONT CONSOLE: Custom front console between the seats of the cab. Console includes (2) cupholders and adequate mounting locations for radios and MCT Laptop bracket.

CAB LIGHTS: RED LED cab lights installed in the ceiling of the cab area.

Does the bid comply to these requirements?

Y_____ N_____

BODY FEATURES Dimensions: 124" Length"x 70" Width x 75" Interior Headroom

The completed ambulance shall be equipped with these body features. All body components shall be securely fastened to prevent rattling loose and to create a water tight seal in areas where water could get into the patient or driver's compartment.

REAR STEP BUMPER: OEM Sprinter step bumper

INTERIOR HEIGHT: Minimum of 75 inches of headroom.

MIRRORS: OEM, Power/Heated fold away on driver and passenger side

STATIC VENT, Fresh air intake: Located above ALS Cabinet.

UNDERCOATING: In accordance with chassis manufacturer's recommendations.

WHEEL COVERS: Stainless Steel Wheelcovers.

Does the bid comply to these requirements?

Y_____ N_____

VEHICLE FEATURES

The completed ambulance shall be equipped with the following features:

ANTENNA COAX: (1) Run from ceiling of module to behind driver seat

BACK UP ALARM: 97 decibel rating with momentary cut-off switch.

MASTER ON-OFF CONVERSION SWITCH: CDR 357 wired to ignition.

CLOCK: Digital in rear control panel. Additional large face atomic clock installed in the rear action area.

DOOR OPEN ALARM: Audible alarm deactivated when parking brake is set

DOOR OPEN ALARM: LED diagnostic board in electrical compartment

DUAL BATTERIES: 100 AMP batteries, (OEM locations).

GAUGES: Ammeter and voltmeter, digital readout.

HEATER/AIR CONDITIONER: Combination heater and air conditioner with thermostat control in patient compartment. Patient Compartment unit to have an ACC belt driven compressor, separate condenser and overhead evaporator.

INVERTER: Inverter installed in the patient compartment to power the 115VAC outlets.

SHORELINE: 115V, 20amp with mating plug.

VENT, POWER: Marine style with 3-speed fan located streetside rear.

115 RECEPTACLES: (2) Duplex lighted hospital grade with GFI protection, (1) in action area and (1) on front bulkhead over ALS cabinet.

Does the bid comply to these requirements?

Y_____ N_____

POWER DISTRIBUTION & CONTROL SYSTEM

The electrical system shall be a printed circuit board system designed for easy troubleshooting and quick replacement of components if required. All switches on the control panels shall be easy to read and have a tactile feel when activated and deactivated. The ambulance electrical systems shall perform the functions as detailed below and shall exceed the requirements set forth in the current revision of the KKK Federal Ambulance specification.

POWER DISTRIBUTION BOARD: Etched trace "printed" circuit board with automotive style Bosch relays and circuit breakers, computer cable interface with control panels. NEMA rated FR-4, MIL STDs 810C; 55110D

ELECTRONIC CONTROL MODULE: Etched trace "printed" circuit boards with standard 5-minute time delay for module checkout lights, directs low voltage switching signals to Power Distribution Board. PLUG-IN OPTIONS AVAILABLE: Automatic Sequencer, Load Manager
FRONT CONTROL SWITCH PANEL: Console mounted between the front seats, Low voltage rocker switch controls for emergency lighting, black-out face with LED indicators, digital volt and ammeters, auto-reset back-up alarm switch, siren control head, emergency and patient compartment master switches, 3-light intercom, compartment & door ajar lights, all function switches, battery indicator lights and dual cup holders.

REAR CONTROL SWITCH PANEL: Low voltage rocker switch controls for interior lighting and 3-light intercom, blackout face with LED indicators, heat/AC control and exhaust fan.

FRONT CONTROL SWITCH PANEL:

HIDDEN DOOR LOCKS: Hidden door lock/unlock switch installed in an inconspicuous location with easy access.

Does the bid comply to these requirements?

Y_____ N_____

WARNING LIGHTS & SIREN

The completed ambulance shall be equipped with LED lighting. These lights shall be installed to be water tight yet easily replaced should the need arise. All lighting shall exceed the minimum specifications set forth in the current revision of the KKK Federal ambulance specifications. The exterior ambulance lighting is detailed below.

All audible warning devices shall exceed the specifications set forth in current revision of the KKK Federal Ambulance specification. Prototype or untested sirens and speakers shall not be accepted or proposed.

BODY WARNING LIGHTS: (6) Whelen Red 900 Series Super-LED, (2) front sides with Cast LH79221-1 & LH79222-1 castings, (2) rear sides with Cast LH79223-1 & LH79224-1 castings, (2) on back doors with Cast LH79219 & LH79220 castings. There is also (2) 900 amber LED's on back doors with Cast LH79219 & LH79220 castings. On the insides of the door (back side of the head knocker) there will be (2) Whelen red 400 LED lights, (1) Whelen amber 400 LED and (2) Whelen 700 LED Scene lights.

FLASHER: Vanner dual mode solid state.

FRONT LIGHT BAR: Whelen Justice LED Light Bar with Cast LB0051-1 & LB0052-1 brackets.

GRILLE LIGHTS: (2) Whelen 700 Series red Super-LED lights in Cast LH37766 & LH37767 castings below the headlights

GROUND ILLUMINATION: Ground clearance lights installed at cab doors, side body door and rear doors.

INTERSECTION LIGHTS: (2) Whelen 400 Series red Super-LED beams w/ chrome flanges

LOAD LIGHTS: (2) Whelen 700 Series LED mounted behind rear head knocker

SCENE LIGHTS: (4) Whelen 700 Series LED mounted on each side (2) front sides with Cast LH37229-1 & LH37230-1 castings and (2) rear sides with Cast LH37231-1 & LH37232-1 castings.

The lighting configuration for this ambulance shall be layed out as described below. Bidders proposing an alternate layout shall describe their configuration in detail.

Desired warning light layout:

- Emergency Lights front top of box will be in a V pattern, On the Right side one **blue light**, In the middle a **clear lens** light for lighting up the scene, on the Left side, one **red light**, then under the clear lens, an additional emergency light, split **Red/Blue**.
- Whelen Justice style (ultra thin) barlight.
- On both sides of the Box at Top, toward the front of the vehicle, it will be **blue in color** and the one toward the back will be **red in color**.
- A split blue & Red emergency light will be situated over the wheel area, one located on the box and the other on the cab of the unit.
- Rear of box, **one blue** and one **red light**

SIREN: A Whelen model 295HFSA7 dual tone siren shall be installed in front switch console.
SIREN SPEAKERS: Two (2) speakers w/-100 watt drivers (Cast SAP6301 & SAD6301) shall be installed in the bumper of the Type II Sprinter chassis

Does the bid comply with these requirements?

Y_____ N_____

INTERIOR LIGHTS

The completed ambulance shall be equipped with interior lighting to adequately illuminate the patient compartment. All interior lighting shall exceed the minimum lighting levels documented in the current revision of the KKK Federal Ambulance specification. Overhead lighting shall be properly fastened to backing plates or reinforcement to prevent the light from coming loose. The following interior lights shall be installed in the completed ambulance.

ACTION AREA LIGHT: Map light in the action area.

CAB LIGHTS: RED LED cab lights installed in the ceiling of the cab area.

DOMELIGHTS: (8) LED lights, (2) rows of four each side with each side switched separately, dual intensity.

DIRECTIONAL LIGHTS: Install Amber/ Red/ Amber directional lights in the rear of the patient compartment.

SPOTLIGHT: (1) Optronics hand-held 400,000 CP, hard wired, mounted on engine cover, momentary button switch.

GOLIGHT: (1) Golight Spotlight installed on the front forward facing surface of the of the unit. The controls installed in the cab area.

STEPLIGHT: LED light mounted in forward end of curbside rear stepwell.

TECHNICIAN SEAT LIGHT: Blue LED light installed over the attendant's seat

Does the bid comply with these requirements?

Y_____ N_____

OXYGEN, VACUUM & MISCELLANEOUS EQUIPMENT

The oxygen and medical components detailed below shall exceed the requirements set forth in the current revision of the KKK Federal ambulance specification. All outlets shall be tested prior to delivery. Documentation of these test results shall be provided upon request of this agency.

ASPIRATOR: (1) S-Scort VX-2 with charging and retention bracket, plumbed to 12V electric vacuum pump, aspirator collection jar located in action area.

FIRE EXTINGUISHER: Mounted fire extinguisher in a location determined by this agency.

OXYGEN CYLINDER BRACKET: Zico slide-out bracket, Model QR-SA w/ QR-MV bracket.

OXYGEN OUTLETS: (2) Ohio quick disconnects in action area

OXYGEN WRENCH: (1) Chained in oxygen compartment.

12 VDC OUTLETS: (4) For Power Point style plugs. (4) 12V Point Power outlets installed in the cab.

Does the bid comply with these requirements?

Y_____ N_____

CABINETS & HARDWARE

The interior cabinetry shall be constructed of 3/4" marine grade plywood. Plywood is the preferred cabinet material due to the superior acoustic and thermal insulating properties. The completed cabinets shall be fastened to anchoring points on the interior patient compartment. All cabinets shall be designed to allow for upward opening easy access and restocking capability.

All cot mounts and hardware shall be securely fastened with reinforcement plates to prevent the components from coming loose. Cot mounts shall be securely bolted through the floor and plated on the underside of the ambulance.

The following cabinetry components are listed below:

CABINERY: All door cabinetry to have restocking style windows.

ACTION AREA: Rear control switch panel, Heat/AC controls, thermostat on upper panel, oxygen outlets, suction aspirator in lower section.

ALS CABINET: ALS cabinet located right front bulkhead as per drawings

CEILING: ¼" Plywood covered with ½" foam and wrapped with white vinyl.

ASSIST RAIL: (1) 72" Stainless steel ceiling assist rail over cot area. (182.88cm)

CONTAMINATED "SHARPS" DISPOSAL: 1-quart container in 'A' bar at end of squad bench.

HAZARDOUS WASTE DISPOSAL: Rubber container mounted in 'A' bar at end of squad bench. Sharps and trash recessed in an area determined by this agency.

COT MOUNT: Stryker Power Pro.

DOOR GRAB HANDLES: Safety yellow interior door grab handles.

FLOORING: Lonseal heavy duty rolled up sidewalls 3 inches.

INSULATION: Fiberglass bats installed in walls and ceiling except in forward right corner (Air Conditioning) where 5/16" Reflectix foil insulation is used.

IV HOLDERS: (2) Dual bottle, CPI #2008 with rubber-swing down style, (2) installed over the cot bench, chest area w/Velcro-retaining straps.

LABELS: (2) "NO SMOKING" signs, (1) in cab, (1) in patient compartment (2) "FASTEN SEAT BELT" signs, (1) in cab, (1) in patient compartment.

OVERHEAD GRAB RAILS: Safety yellow overhead grab rails.

PLEXIGLAS DOORS: All sliding Plexiglas to be 3/16" (.1875") thick, clear. All sliding doors to have full-length aluminum pull handles.

SEAT BELTS: (3) Sets of automotive lap type; (1) Technician's seat; (2) Captain style swivel seat belts

SQUAD BENCH AREA: 2 captain style swivel seats facing the patient cot. Seating includes 4-point seat belts.

STREETSIDE CABINETS: Standard Guardian print with full wall cabinets including upper and lower sections.

TECHNICIAN SEAT: EVS Child Safety seat mounted over oxygen cabinet with steel bracing.

UPHOLSTERY: Thermal formed seamless vinyl. Color to be grey.

BULKHEAD: Solid bulkhead with sliding pass-thru window.

BACKBOARD STORAGE: Compartment located along passenger side behind Captain swivel seats to accommodate backboard storage for two (2) backboards. Backboard access will be from rear of apparatus.

Does the bid comply with these requirements?

Y_____ N_____

AMBULANCE WARRANTY

The completed ambulance shall have the following warranty listed below. A complete description of the ambulance warranties shall be provided with the bid proposal.

LIMITED CONVERSION: 48 months or 48,000 miles from date of original purchase

ELECTRICAL: Six (6) years or 72,000 miles from date of original purchase

Does the bid comply with these requirements?

Y_____ N_____

PAINT, DECALS, LETTERING

The completed ambulance shall have RED paint. Exact color to be determined during pre-build meeting.

SAFETY STRIPING: Reflective striping on all rear facing entry doors.

Does the bid comply with these requirements?

Y_____ N_____

FUEL

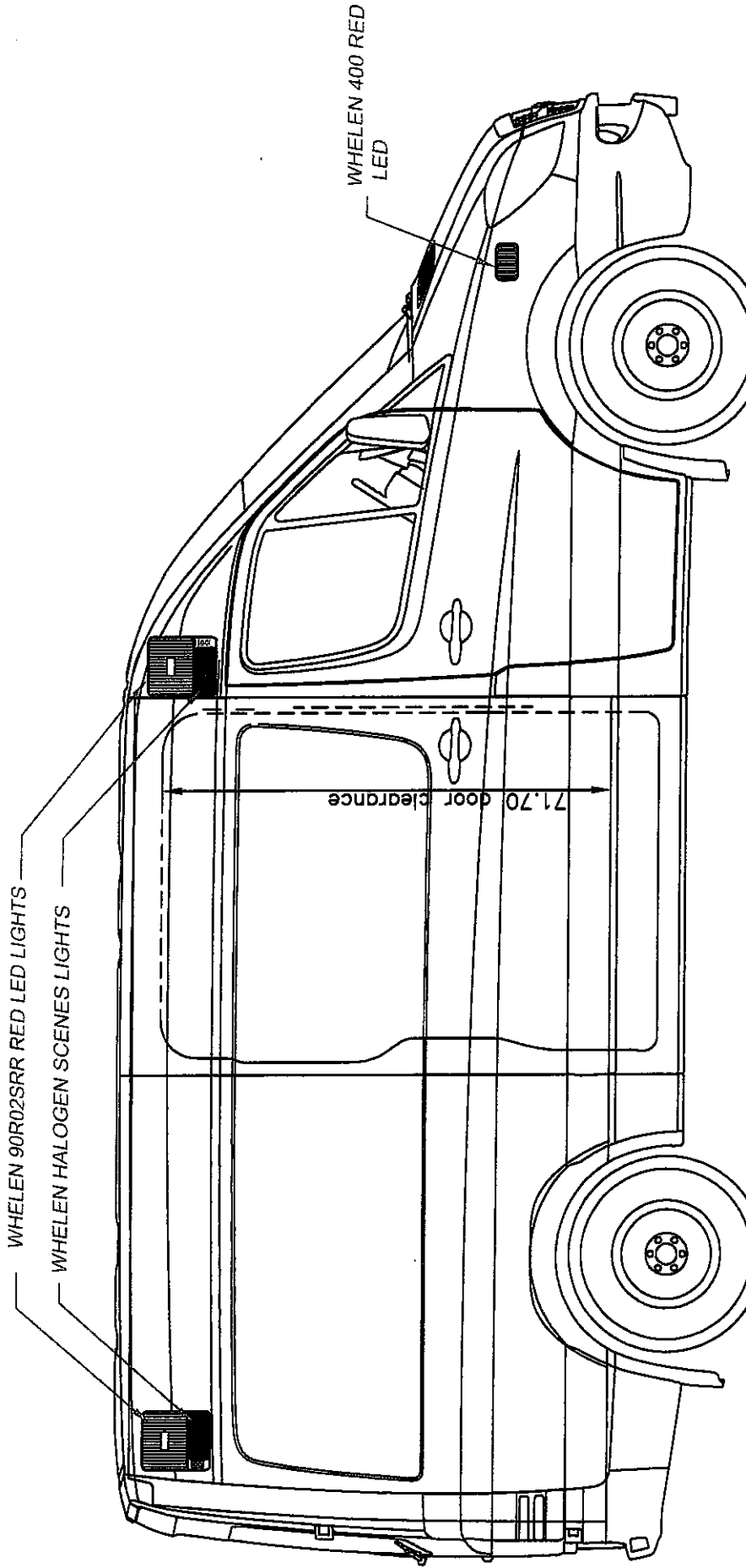
FUEL: Full tank of fuel prior to delivery to the end user.

Does the bid comply with these requirements?

Y_____ N_____

APPROVED: _____

NOT APPROVED: _____



2010 SPRINTER 76" HEADROOM VAN

Marque Ambulance

1110 DI DRIVE, ELKHART, IN 46628
PHONE 1-800-326-2062

TYPE II - SPRINTER 2500 144WB VAN

CURBSIDE EXTERIOR

SCALE
1:26

CURBSIDE ELEVATION

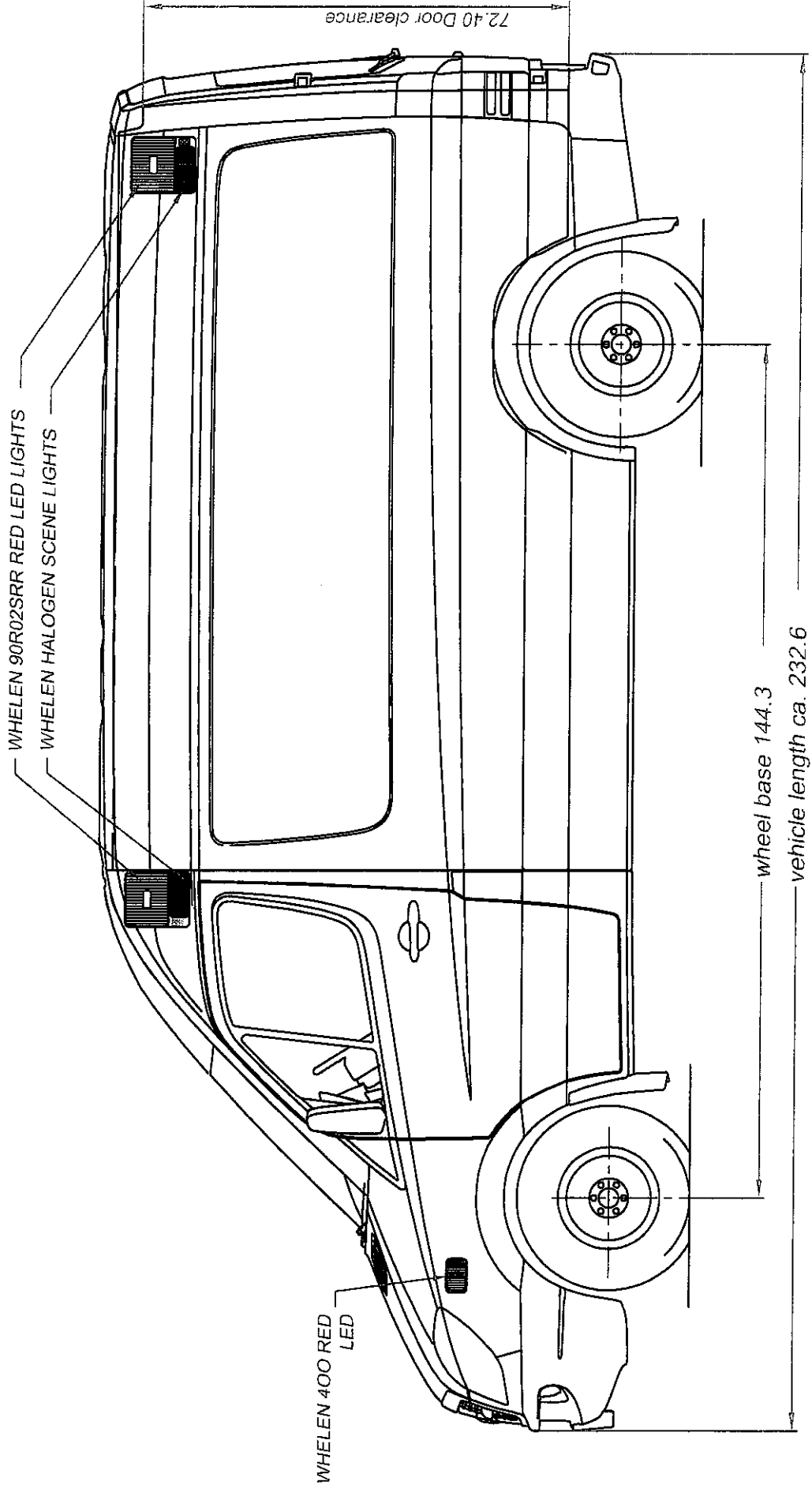
09/02/11

MAM

V15351-C

NOTE: DETAILS ARE CONCEPTUAL ONLY. LAYOUT AND ALL DIMENSIONS ARE APPROXIMATE AND SUBJECT TO MODIFICATION BY DESIGN ENGINEER

APPROVED: _____ NOT APPROVED: _____



NOTE: DETAILS ARE CONCEPTUAL ONLY. LAYOUT AND ALL DIMENSIONS ARE APPROXIMATE AND SUBJECT TO MODIFICATION BY DESIGN ENGINEER

UNITS 12511-12512

1110 DI DRIVE, ELKHART, IN 46528
PHONE 1-800-326-2062

Marque Ambulance

TYPE II - SPRINTER 2500 144WB VAN

SCALE
1:26

STREETSIDE EXTERIOR

STREETSIDE ELEVATION

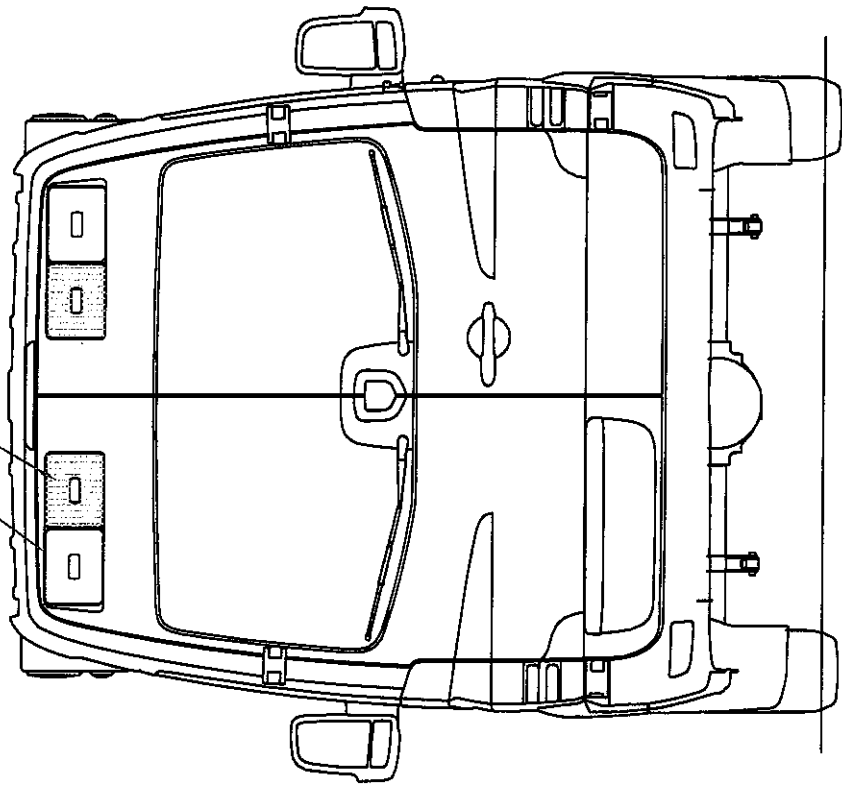
6/18/10

FWS

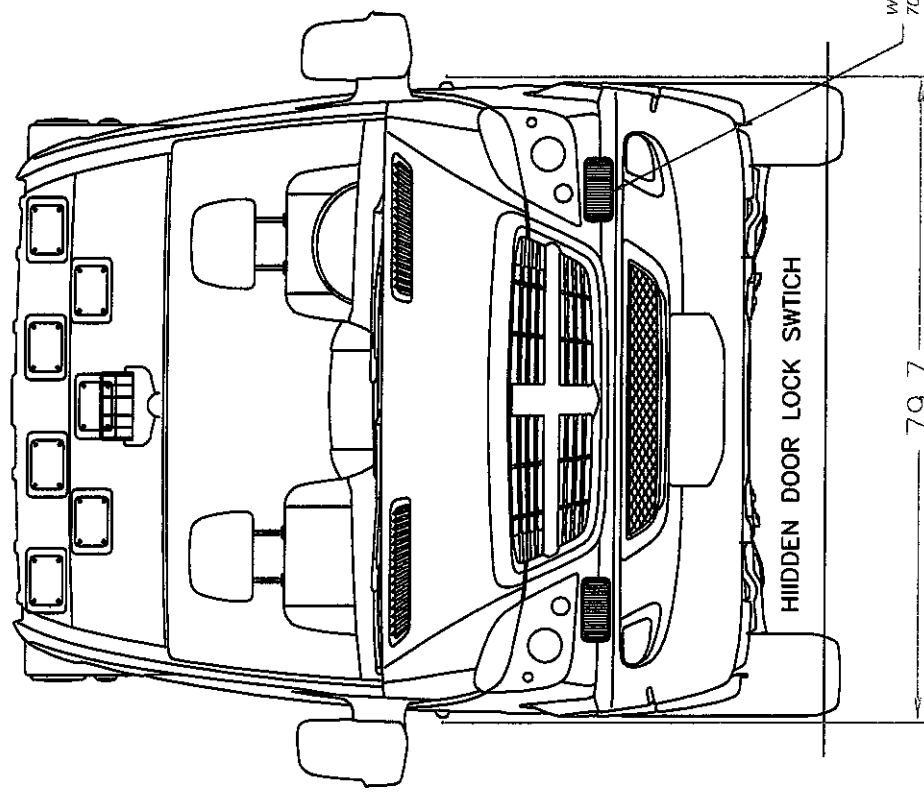
V15350-C

WHELEN 90R02SRR
RED LED

WHELEN 90A02SCR
AMBER LED



WHELEN 600 SERIES LIGHTS IN V PATTERN
GOLIGHT (MAY INTERFERE)



RED SKY - RIO RICO

1110 DI DRIVE, ELKHART, IN 46528
PHONE 1-800-326-2062

Marque Ambulance

TYPE II - SPRINTER 2500 144WB VAN

FRONT & REAR VIEW

EXTERIOR ELEVATION

09/02/11

MAM

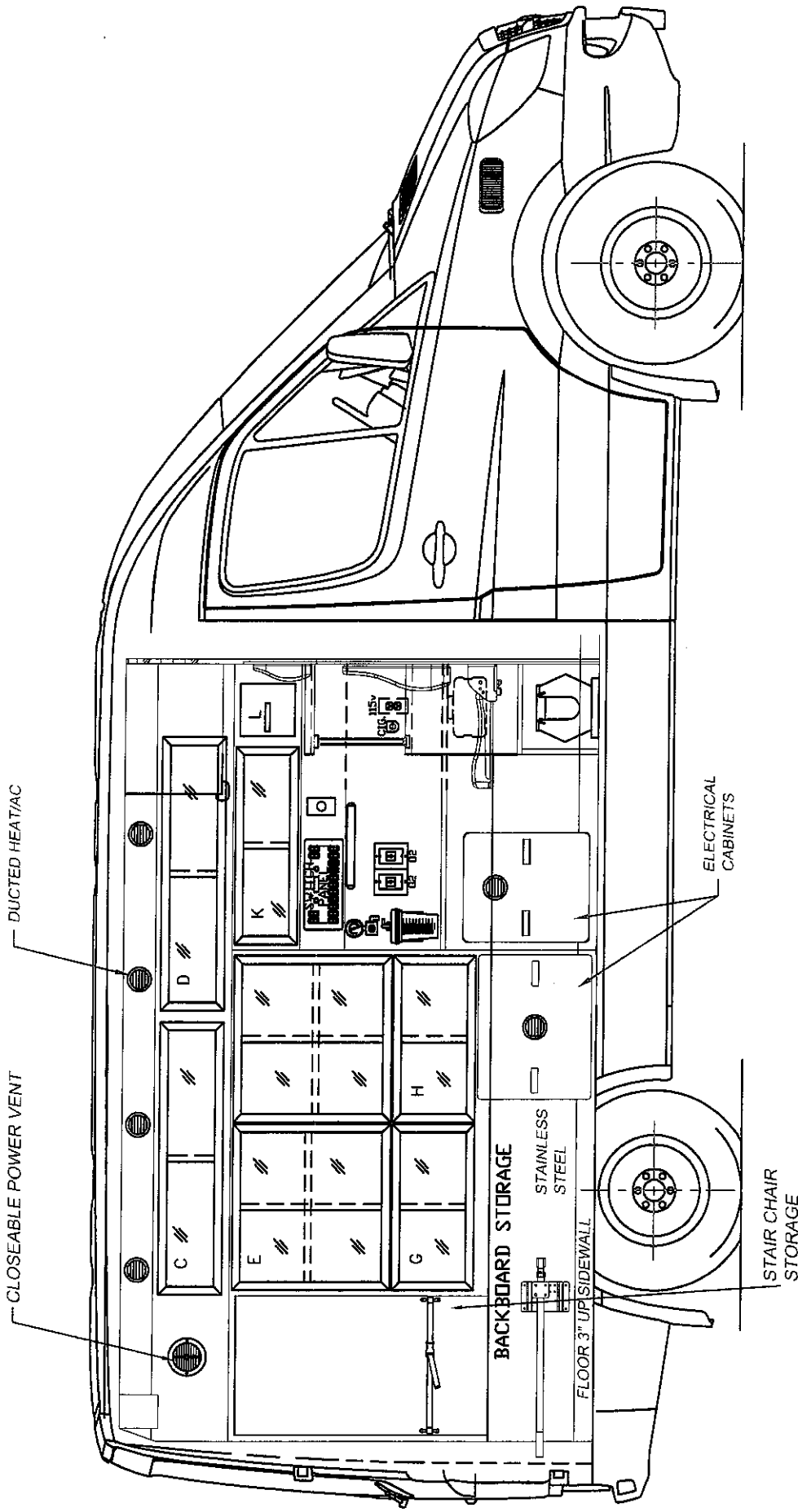
V15352-C

NOTE: DETAILS ARE CONCEPTUAL ONLY. LAYOUT AND ALL DIMENSIONS
ARE APPROXIMATE AND SUBJECT TO MODIFICATION BY DESIGN ENGINEER

SCALE
1:24

APPROVED: _____

NOT APPROVED: _____



NOTE: DETAILS ARE CONCEPTUAL ONLY. LAYOUT AND ALL DIMENSIONS ARE APPROXIMATE AND SUBJECT TO MODIFICATION BY DESIGN ENGINEER

2010 SPRINTER 76" HEADROOM VAN

Marque Ambulance

1110 DI DRIVE, ELKHART, IN 46528
PHONE 1-800-326-2062

TYPE II - SPRINTER 2500 144WB VAN

STREETSIDE VIEW

STREETSIDE ELEVATION

FWS

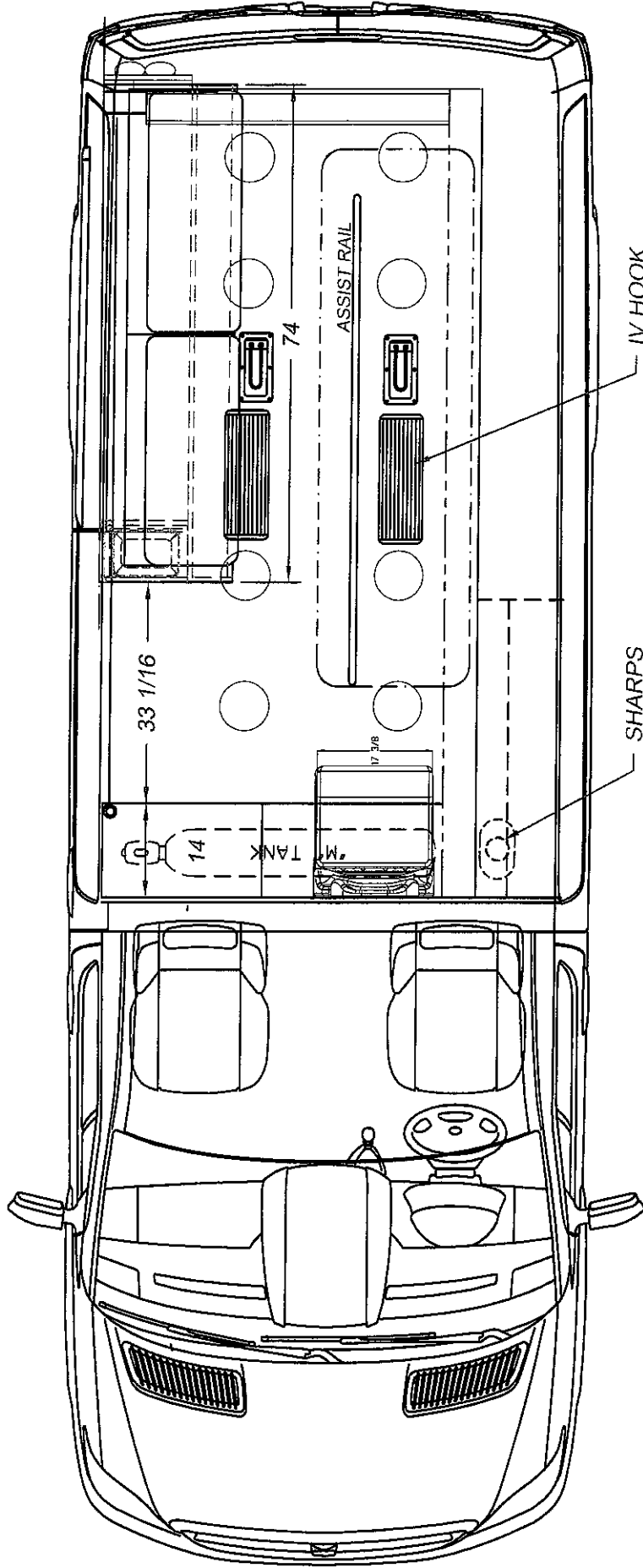
6/18/10

V15354-C

SCALE
1:25

NOTES:
RESTOCKING CABINETS
INVERTER INSTALLED IN ELECTRICAL CABINET
GROUND LIGHTS ON CAB SIDE AND REAR DOORS
BACKBOARD STORAGE WITH ACCESS FROM REAR

APPROVED: _____ NOT APPROVED: _____



2010 SPRINTER 76" HEADROOM VAN

Marque Ambulance

1110 DI DRIVE, ELKHART, IN 46528
PHONE 1-800-326-2062

TYPE II - SPRINTER 2500 144WB VAN

PLAN VIEW

SCALE
1:25

OVERHEAD ELEVATION

6/18/10

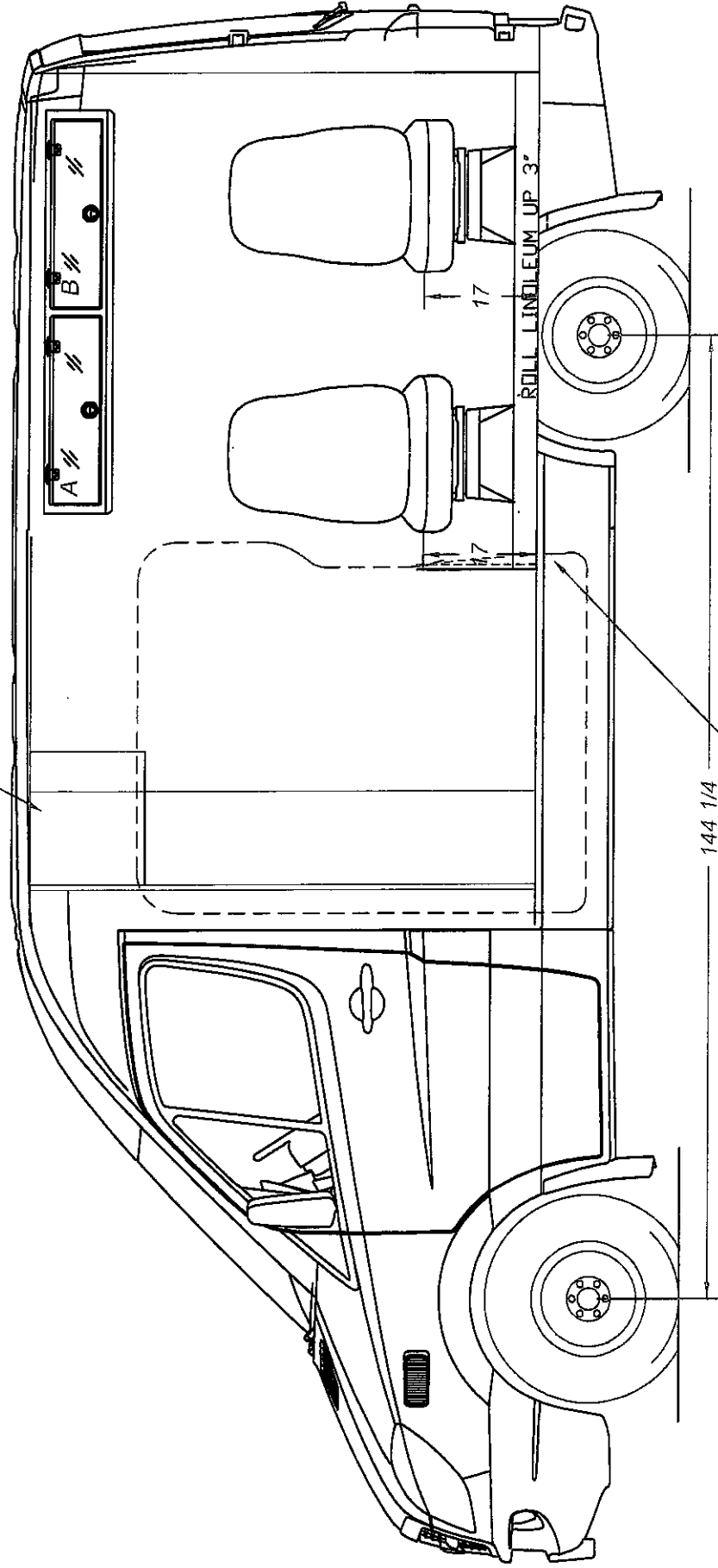
FWS

V15353-C

NOTE: DETAILS ARE CONCEPTUAL ONLY. LAYOUT AND ALL DIMENSIONS ARE APPROXIMATE AND SUBJECT TO MODIFICATION BY DESIGN ENGINEER

APPROVED: _____ NOT APPROVED: _____

HEATER/AC



TIP-OUT TRASH CONTAINER IN THE END OF BENCH WITH CHROME PULL HANDLE. MAKE SURE CATCH FOR LATCH IS ADJUSTED SO TRASH CONTAINER DOES NOT HIT WHILE OPENING.

2010 SPRINTER 76" HEADROOM VAN

Marque Ambulance		1110 DI DRIVE, ELKHART, IN 46528 PHONE 1-800-326-2062	
TYPE II - SPRINTER 2500 144WB VAN		SCALE	1:25
CURB SIDE INTERIOR VIEW			
CURBSIDE ELEVATION	6/17/10	FWS	V15357-C

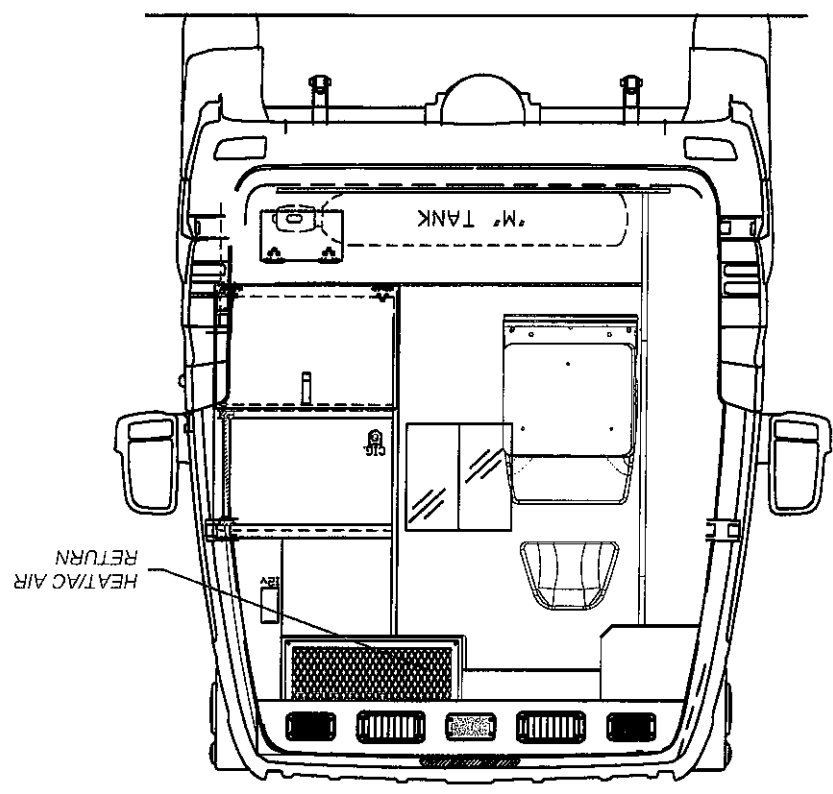
NOTE: DETAILS ARE CONCEPTUAL ONLY. LAYOUT AND ALL DIMENSIONS ARE APPROXIMATE AND SUBJECT TO MODIFICATION BY DESIGN ENGINEER

CABINETS SIZES (INSIDE DIMENSIONS NOMINAL)			
CAB #	WIDTH	HEIGHT	DEPTH
CAB A & B	28 1/2	7 3/4	10 3/4

NOTE: DETAILS ARE CONCEPTUAL ONLY. LAYOUT AND ALL DIMENSIONS ARE APPROXIMATE AND SUBJECT TO MODIFICATION BY DESIGN ENGINEER.

INTERIOR ELEVATION	6/18/10	FWS	V15355-C
FRONT INTERIOR VIEW			
SCALE: 1/20			
TYPE II - SPRINTER 2500 144WB VAN			
Marque Ambulance 1110 OI DRIVE, ELKHART, IN 46528 PHONE: 1-800-326-2062			

2010 SPRINTER 76" HEADROOM VAN



APPROVED: _____ NOT APPROVED: _____